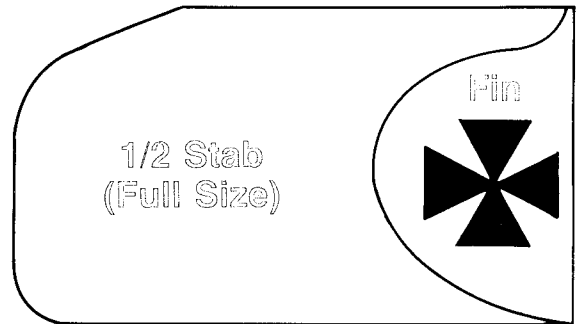
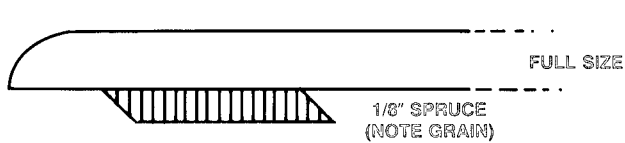
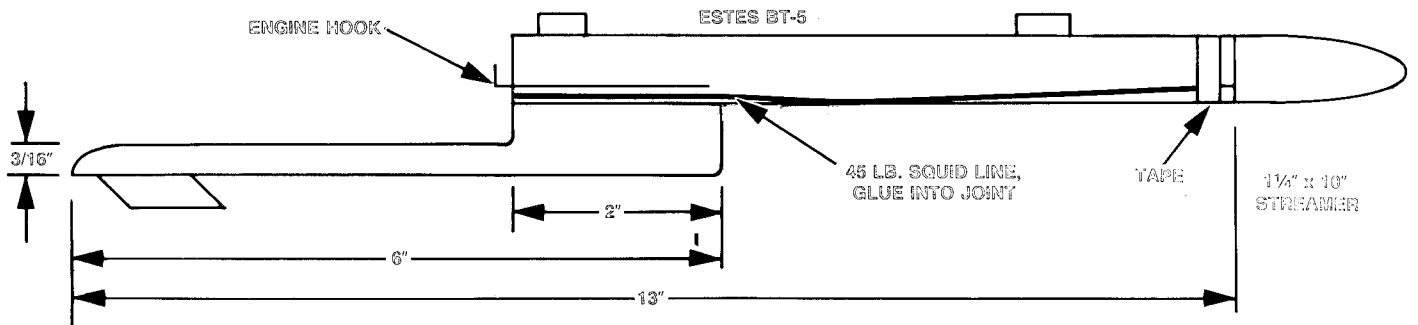
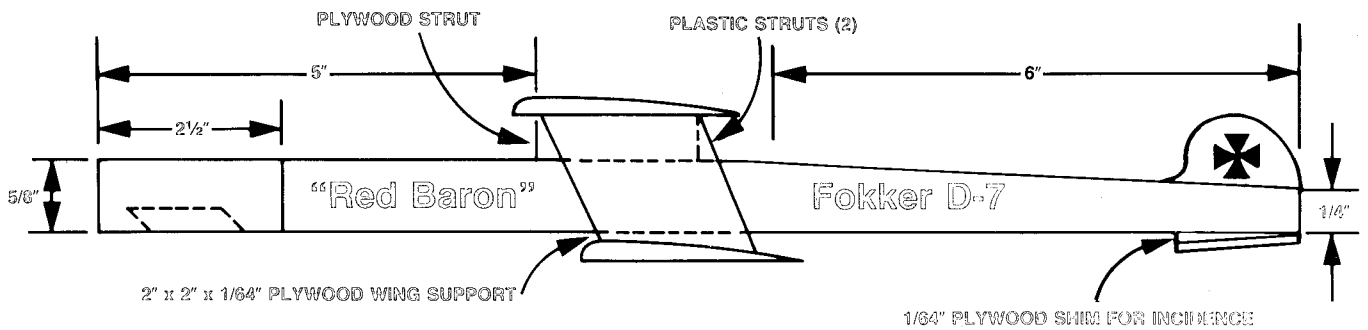
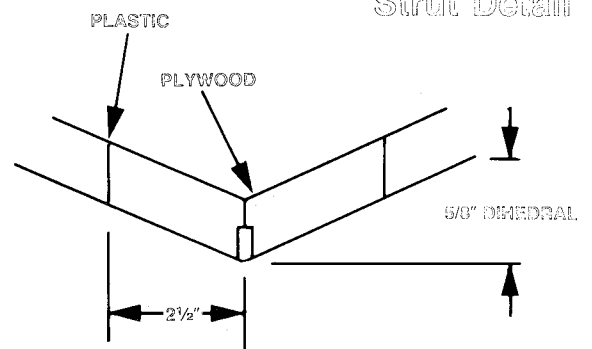


BI-WING 'A' B/G

"Fokker - D7"



Strut Detail



Parts:

- (1) Wing, 1/32" x 12" x 2" (Top)
- (1) Wing, 1/32" x 9" x 2" (Bottom)
- (1) Boom, 5/8" x 14" x 1/8" balsa
- (1) Stab
- (1) Fin
- (1) Wing Center Strut, 1/64" x 1 1/8" x 2" plywood
- (2) Wing Struts (plastic)
- (2) Pod Guards, 1/32" x 5/8" x 2 1/2" plywood
- (1) Pod
- (1) Engine Hook



1/32" wings, plastic struts and marking sequence are from Guillow's Biplane Glider Kit #45-B

Pod is on bottom of glider to prevent clips catching on wings during lift-off

Airfoil wings

Use 1/64" x 1/8" x 1/2" plywood for stab incidence shim

Gap between wings: 1 3/4"

Average duration: 60-90 seconds

Outstanding duration: 120-150 seconds

Fly with A3-2T (A3-4T also acceptable)

By Ken Brown
NAR #29354

Plans drawn by: Chris Tavares