



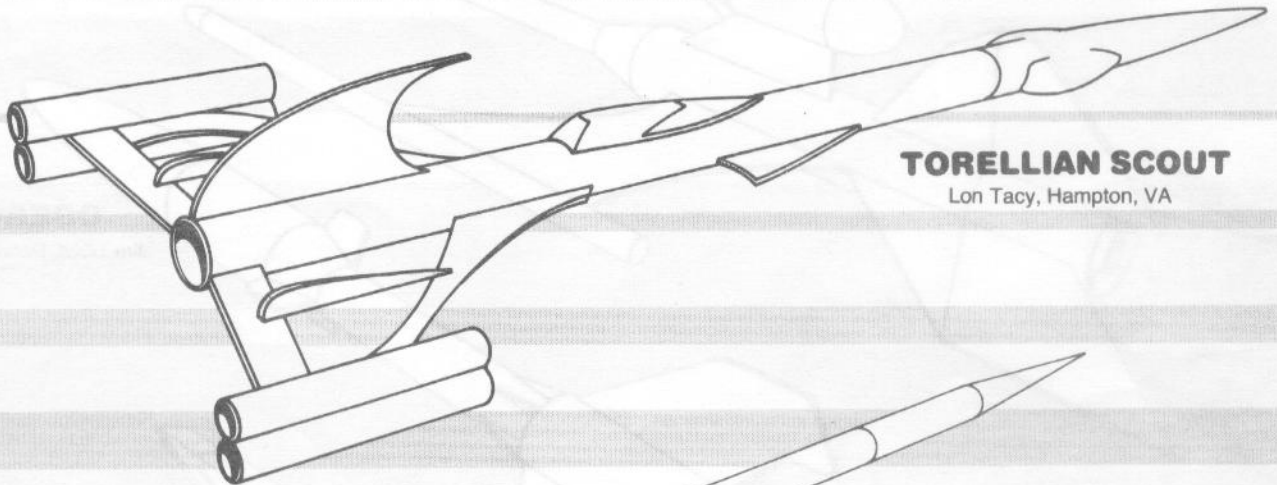
A DAMON COMPANY

FUTURISTIC PARTS ASSORTMENT

IDEA SHEET

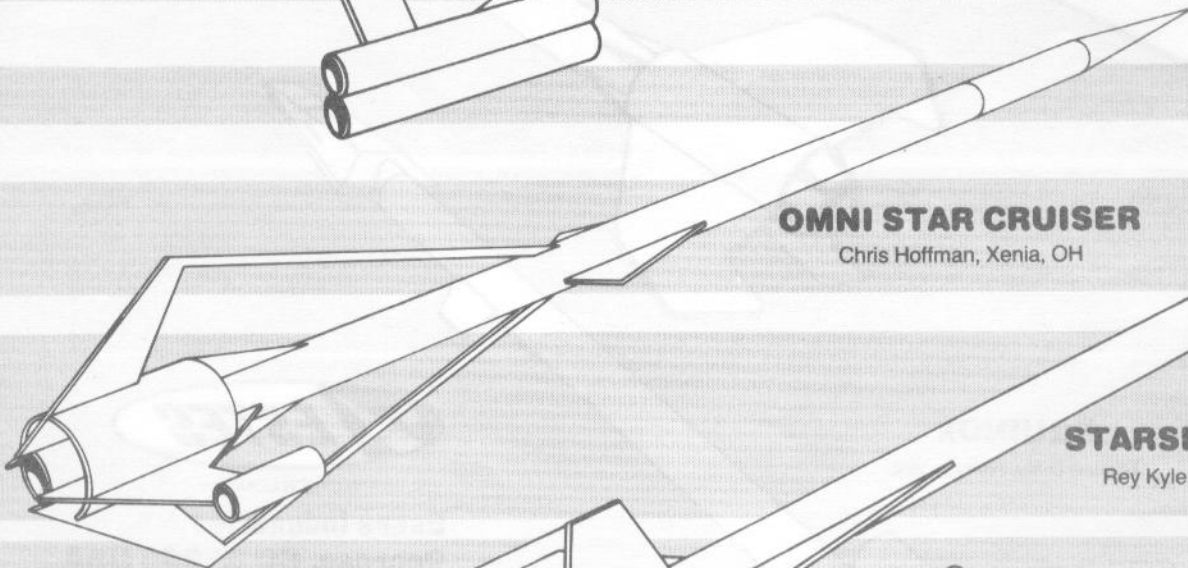
Your Futuristic Parts Assortment includes a variety of parts which will help you design and build many exotic model rockets. Parts are included for the main sections of these model rockets as well as for detailing. The sketches below are intended to give you ideas for designing your own model rockets – this assortment may not contain all parts necessary to complete the designs shown here.

Just as you would when designing any model rocket, keep the principles of good model rocket design and stability in mind. Always string test your models for stability before the first flight. For more information on designing stable model rockets see Estes' Technical Report TR-1 – Rocket Stability.



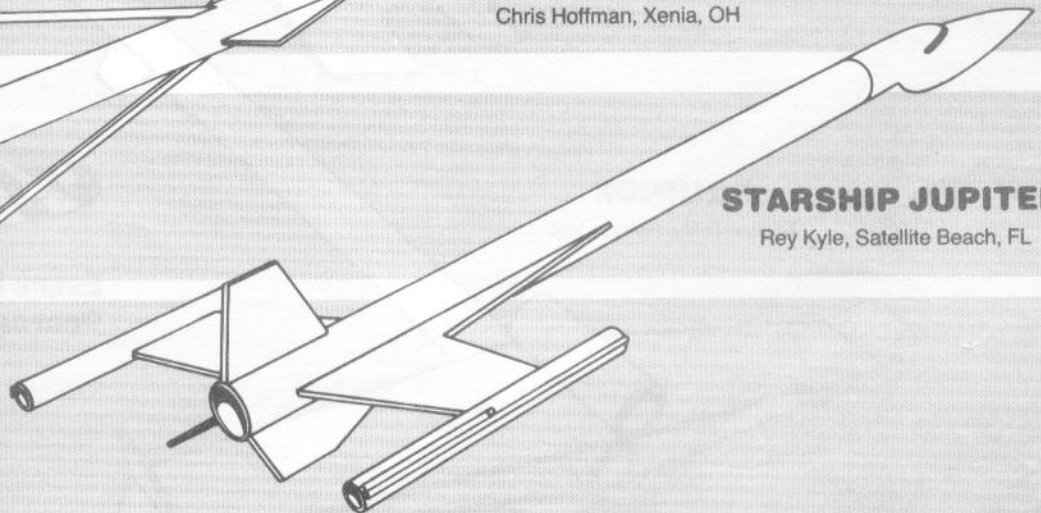
TORELLIAN SCOUT

Lon Tacy, Hampton, VA



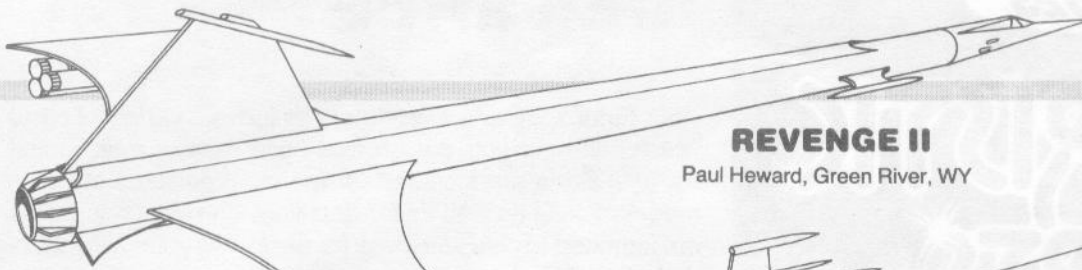
OMNI STAR CRUISER

Chris Hoffman, Xenia, OH



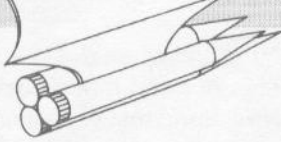
STARSHIP JUPITER

Rey Kyle, Satellite Beach, FL



REVENGE II

Paul Heward, Green River, WY



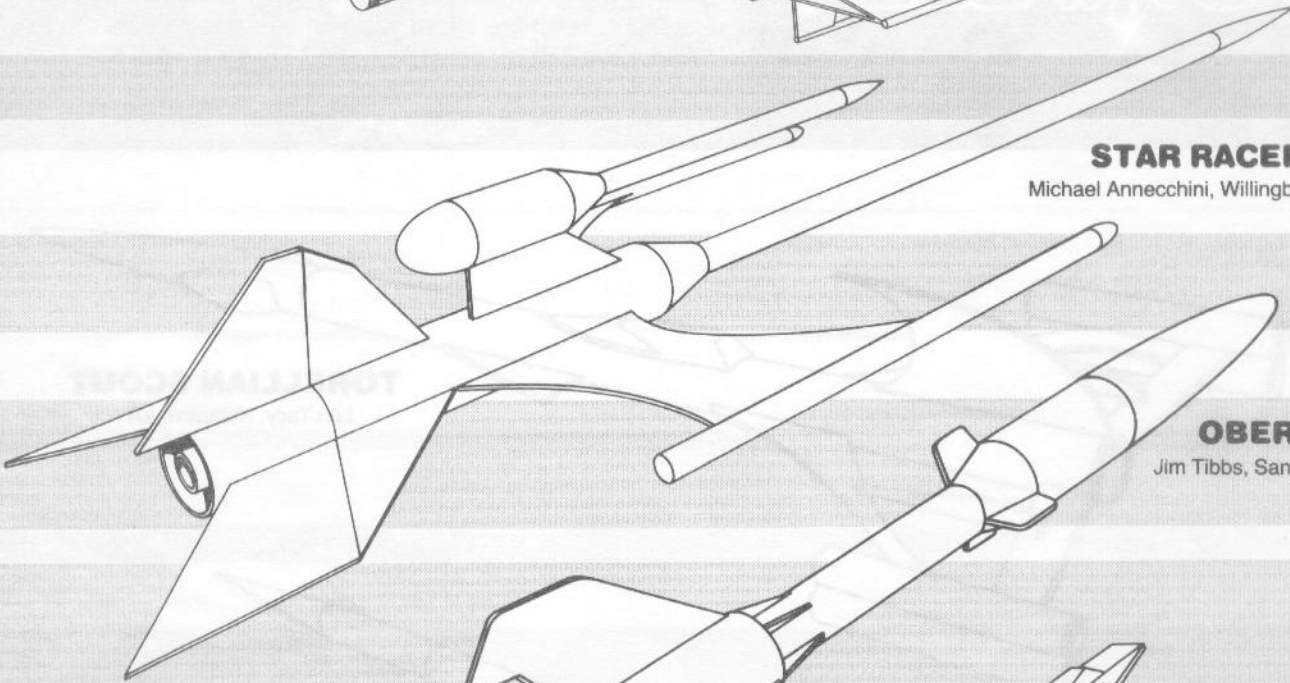
SHIVA

Greg Hawkinson, Davenport, IA



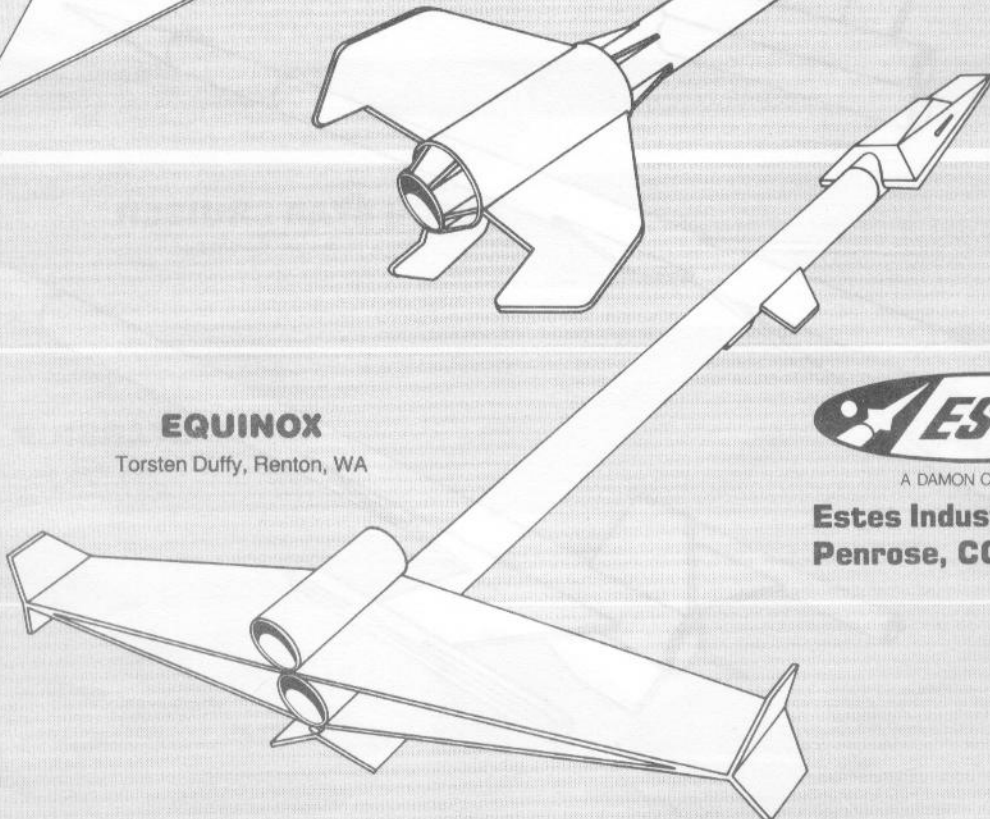
STAR RACER

Michael Anecchini, Willingboro, NJ



OBERON

Jim Tibbs, Sandpoint, ID



EQUINOX

Torsten Duffy, Renton, WA



A DAMON COMPANY

Estes Industries
Penrose, CO 81240 USA