

Specifications:

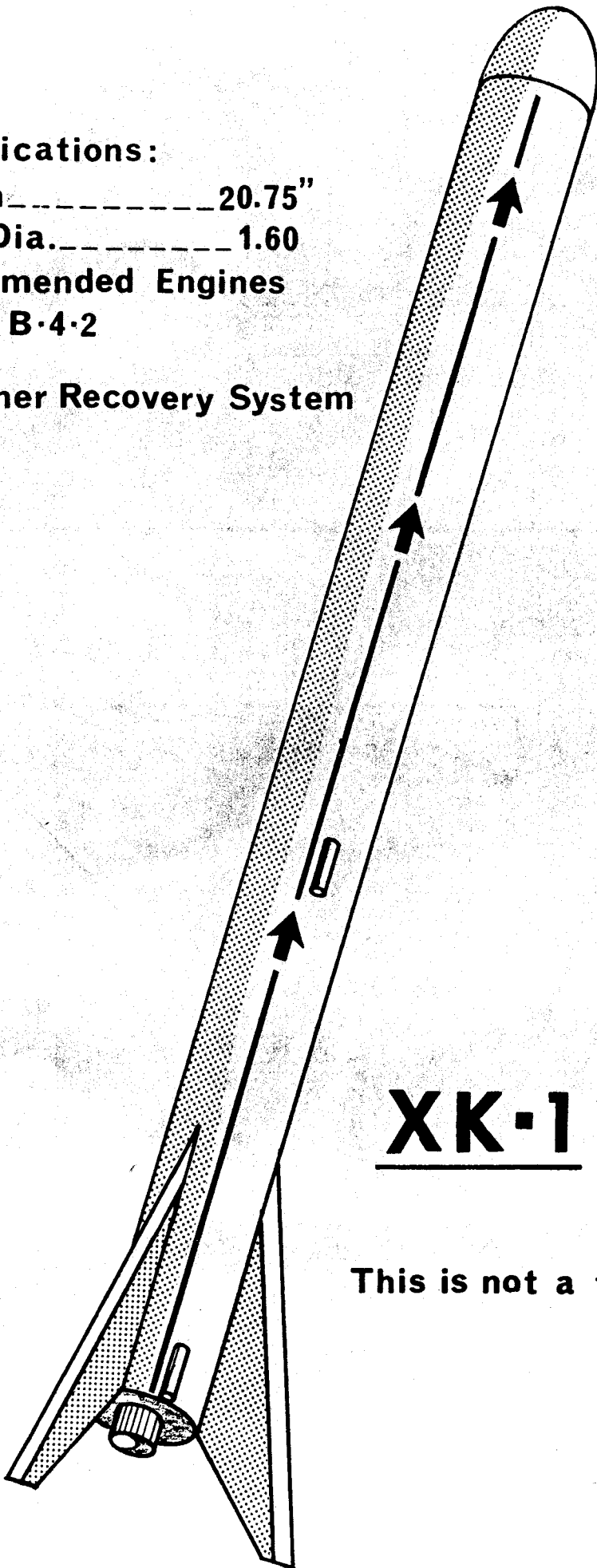
Length-----**20.75"**

Body Dia.-----**1.60**

Recommended Engines

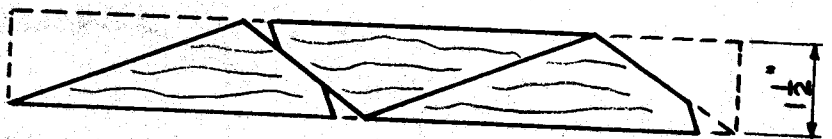
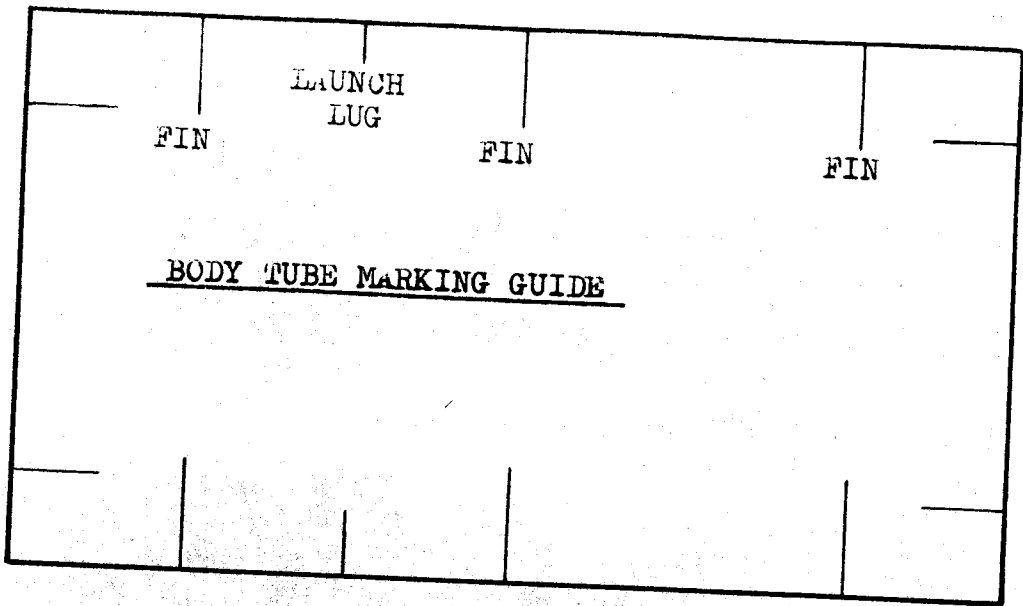
C·6·3 , B·4·2

Streamer Recovery System

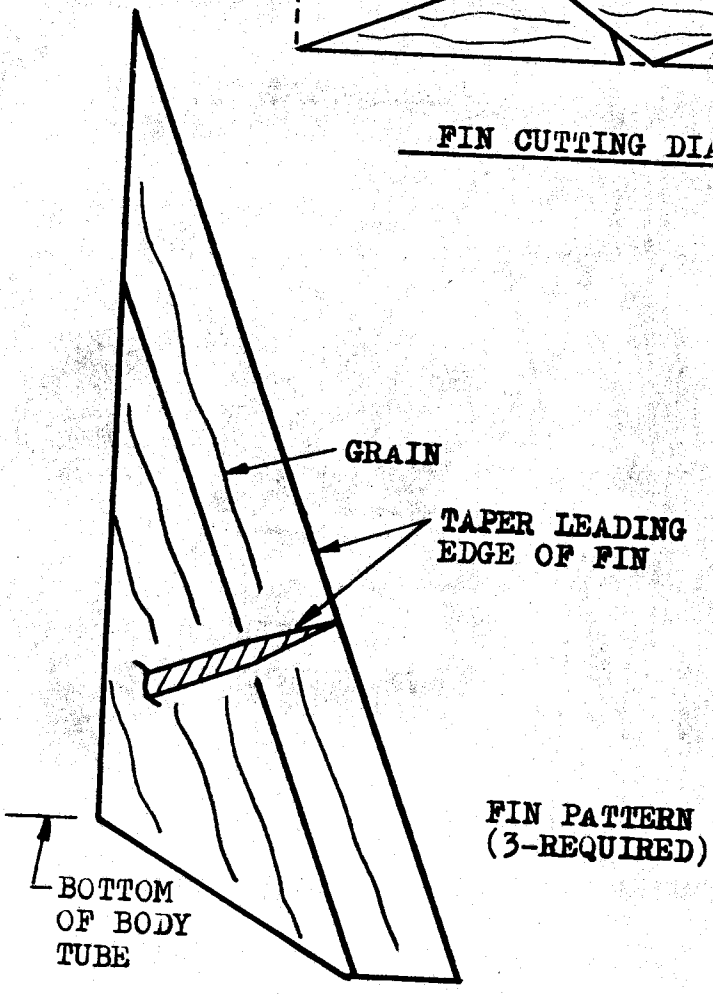


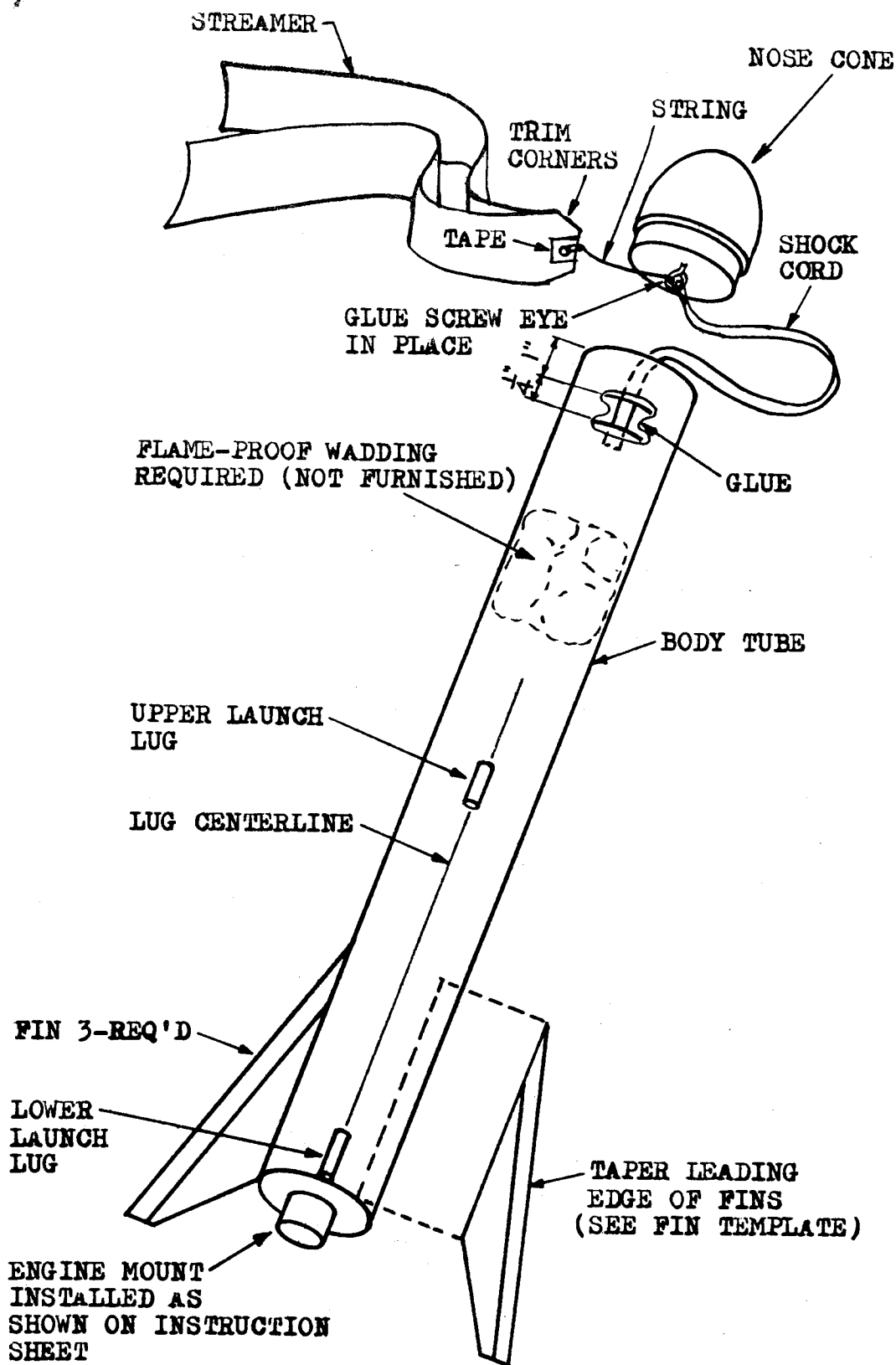
XK-1

This is not a toy



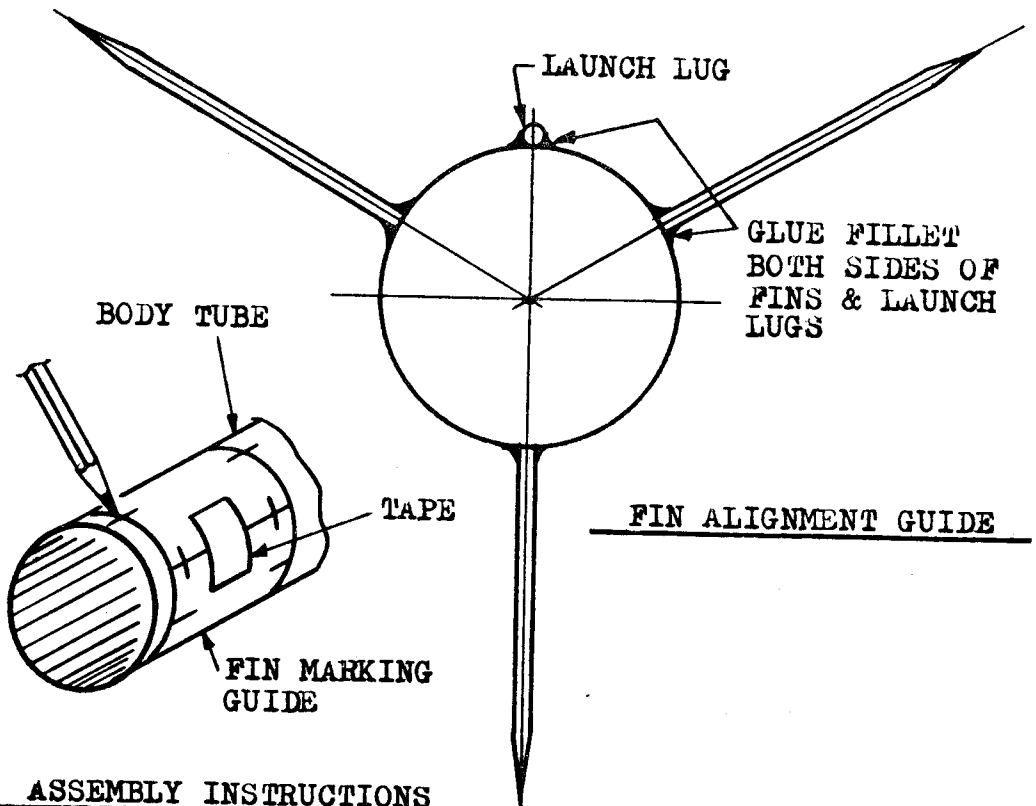
FIN CUTTING DIAGRAM





PARTS LIST

- | | |
|--------------|----------------------|
| 1- BODY TUBE | 2- LAUNCH LUGS |
| 1- NOSE CONE | 1- STREAMER |
| 1- FIN SHEET | 1- ENGINE MOUNT UNIT |
| 1- SCREW EYE | 1- SHOCK CORD |



ASSEMBLY INSTRUCTIONS

1. CUT OUT FIN MARKING GUIDE, WRAP AROUND BODY TUBE AND MARK OFF FIN AND LUG SPACES. DRAW CONNECTING LINES ABOUT 9" ALONG THE BODY TUBE.
2. CUT OUT FIN PATTERN & MARK FIN OUTLINES ON BALSAM SHEET. TAPER LEADING EDGES & GLUE TO BODY TUBE FIN CENTERLINES USING FIN ALIGNMENT GUIDE ABOVE TO CHECK ALIGNMENT.
3. CUT TWO $\frac{1}{8}$ " LONG SLOTS, $\frac{1}{8}$ " APART, ABOUT 1" FROM END OF BODY TUBE. INSERT SHOCK CORD THRU SLOTS AS SHOWN ON ASSEMBLY DIAGRAM, ADD GLUE GENEROUSLY AND LET DRY.
4. GLUE SCREW EYE INTO NOSE CONE.
5. FOLD STREAMER IN HALF. ADD A PIECE OF MASKING TAPE TO FOLDED END. MAKE A SMALL HOLE THRU TAPE AND TRIM CORNERS OF STREAMER. USE A PIECE OF STRING TO SECURE THE STREAMER TO THE SCREW EYE. TIE THE LOOSE END OF THE SHOCK CORD TO THE SCREW EYE.
6. GLUE THE TWO LAUNCH LUGS TO THE LUG CENTERLINE USING A GENEROUS AMOUNT OF GLUE. ONE LUG TO BE FLUSH WITH THE BOTTOM END OF THE BODY TUBE, THE OTHER LUG TO BE ABOUT 9" FROM THE BOTTOM.
7. CONSTRUCT AND INSTALL THE ENGINE MOUNT ASSEMBLY AS SHOWN IN ENGINE MOUNT PACKET INSTRUCTIONS.

NOTE: PAINT AND DECALS ARE NOT FURNISHED IN THIS KIT.